

Talent II

This product is mainly used for decorating and highlighting in building frame, garden, etc. It can work in independent mode and DMX mode, which can generate various color changing effects, such as flashing, fading, steady, seven color jumping synchronously etc. DMX256 class gray degree dimmeDMX programable.



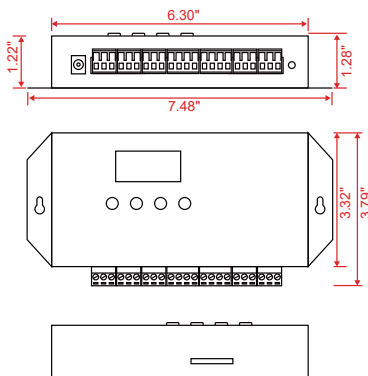
DIMMER FEATURES

- It is very easy to use, just put the SD card with programs into Talent II, you can use the remote controller or the buttons on the controller to switch to different programs.
- Test the DMX address code.

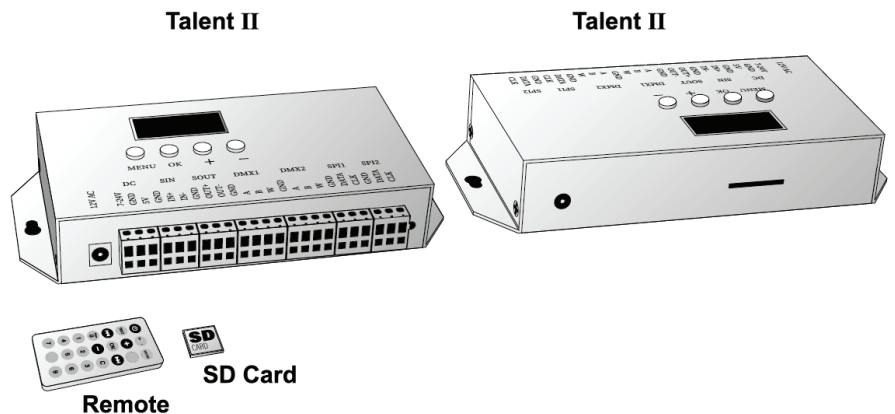
CONTROLLER OPTIONS LIST

| Model | Voltage | Max load current | Max power | Output signal | Working Temperature | Dimensions (L x W x H) |
|-----------|------------|------------------|-----------|---------------|---------------------|------------------------|
| Talent II | DC5V-DC24V | 0.2A (Max.) | 2W(Max.) | DMX512&SPI | -30° C ~55° C | 7.5X3.9X1.3in |

CONTROLLER DIMENSIONS

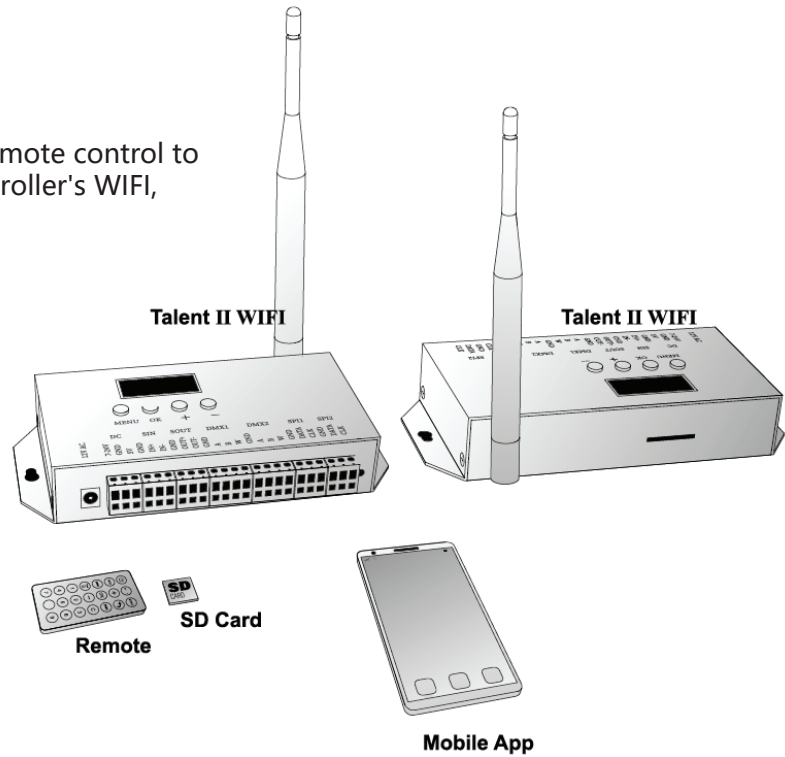


CONTROLLER RENDERINGS

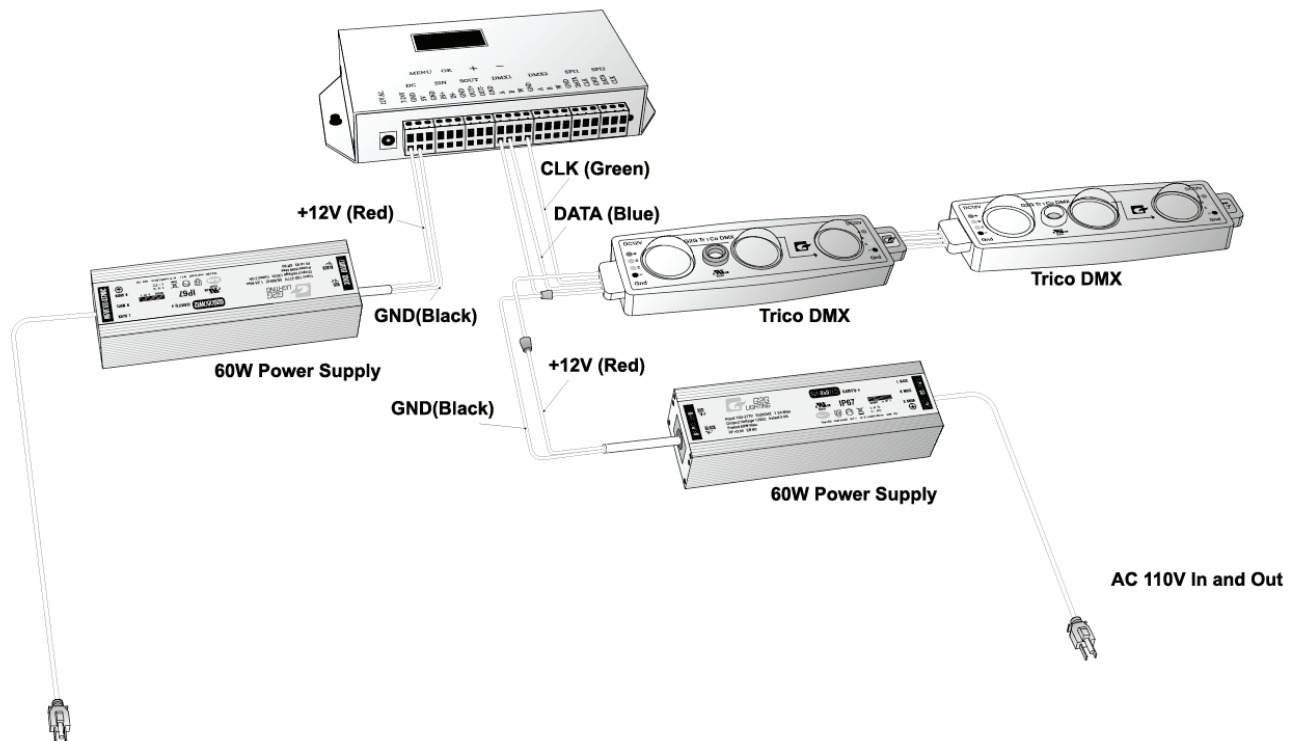


TALENT II WIFI

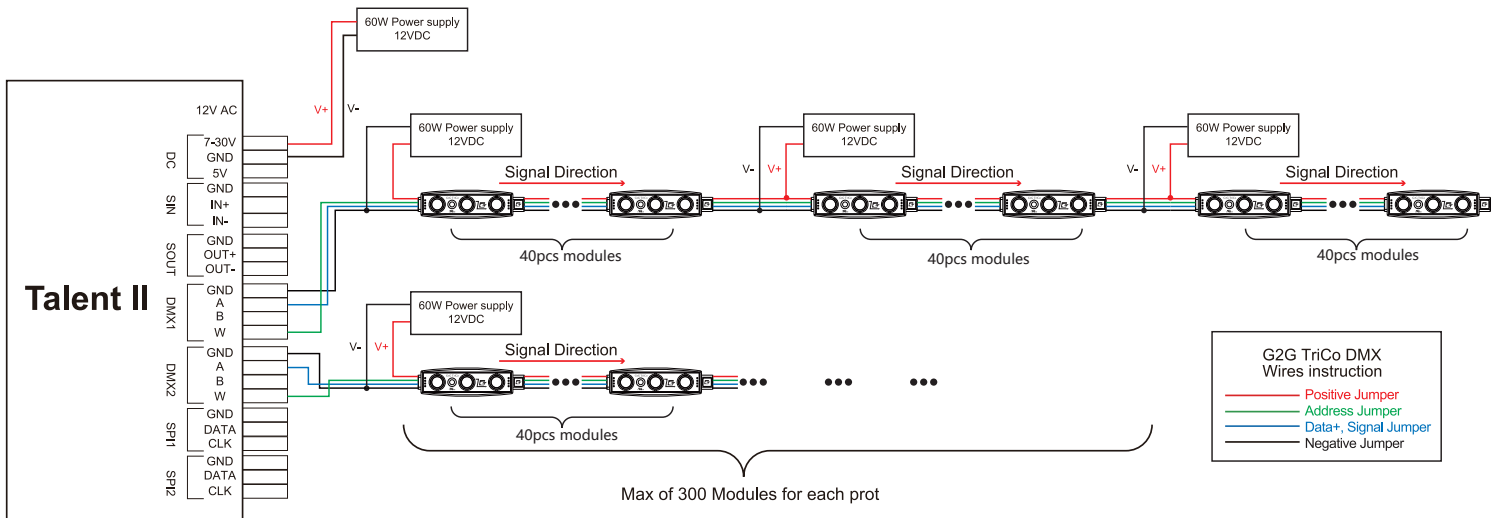
Talent II Wifi controller can use the remote control to control, you can also connect the controller's WIFI, use mobile phone APP to control.



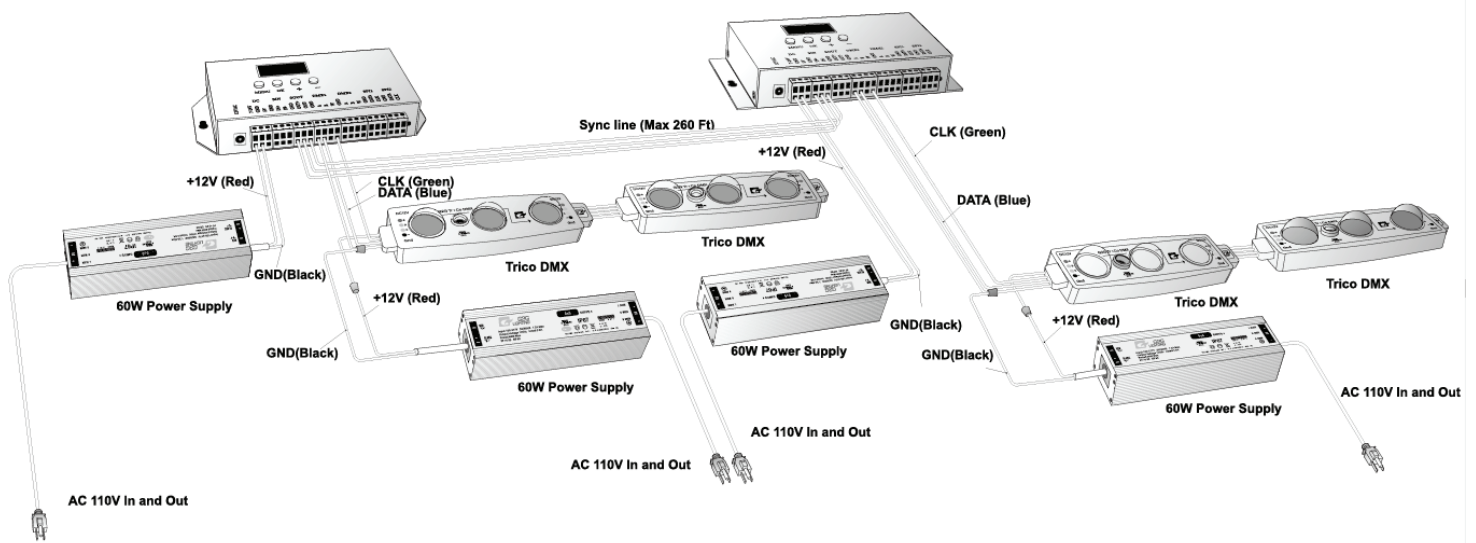
SINGLE TALENT II CONNECTION DIAGRAM



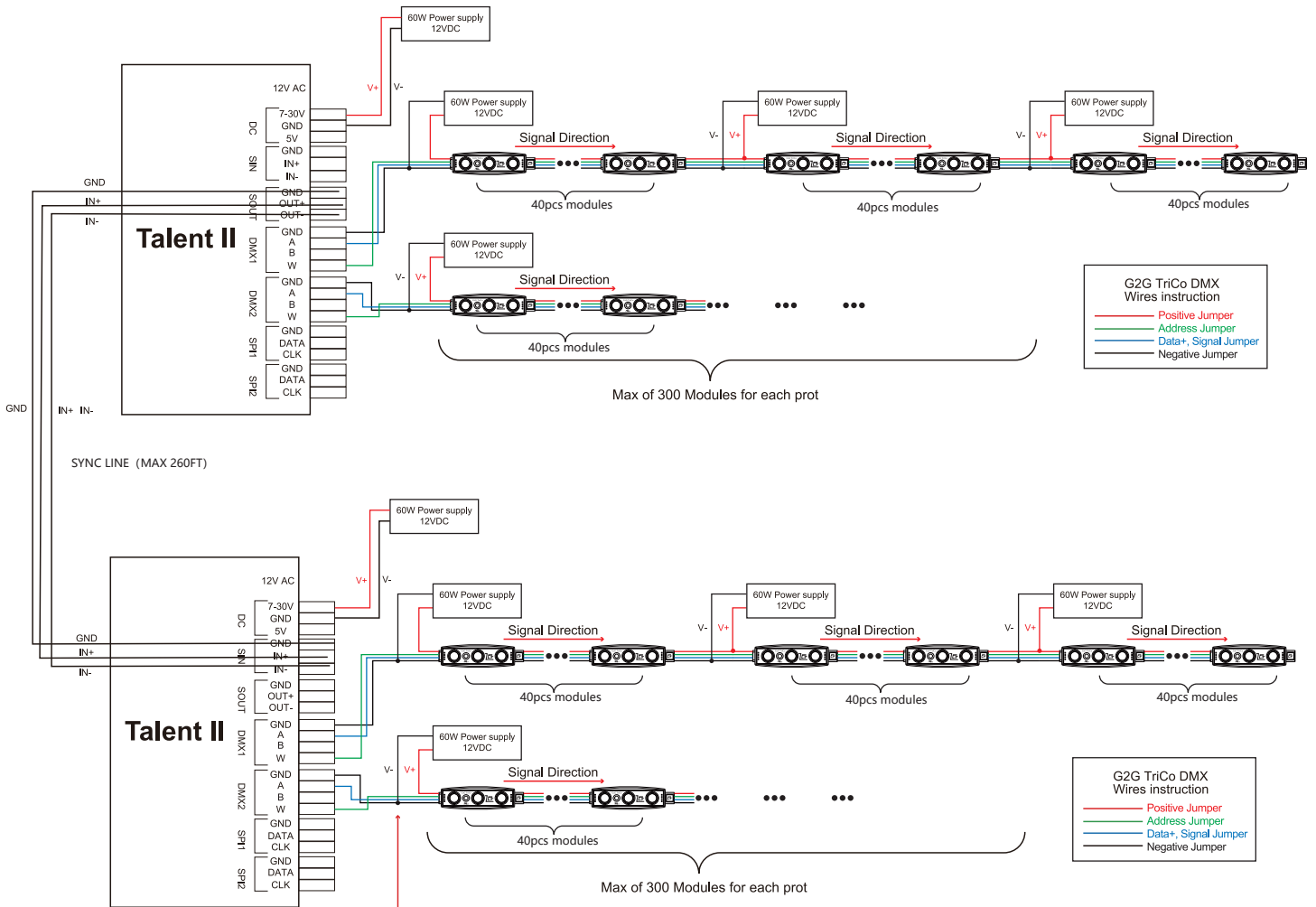
PLANE CONNECTION DIAGRAM



MULTIPLE TALENT II CONNECTION DIAGRAM (SYNC)



PLANE CONNECTION DIAGRAM



Use a short wire connect the first port, and connect with the black wire of module, then connect to the negative of the power supply