

# Talent III

The Talent III controller output supports the standard USITT dmx512/1990 general protocol and DMX extension protocol; The Talent III controller can play programs stored in SD card. In addition, the controller has buttons and external remote control, which can realize the selection of programs, overall brightness adjustment and speed adjustment, etc. In the offline mode the controller can be directly connected with the lamp, on-line mode, connected with the computer, the computer directly connected controller to control RGB modules. The Talent III programming software supports 32-bit and 64-bit Windows operating systems and does not support IOS.



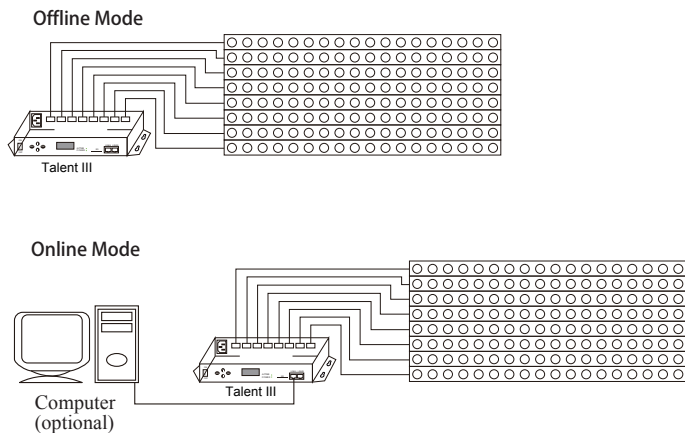
## DIMMER FEATURES

- Write address code and test whether the address code is correct.
- Online mode, you can make the programs and test them at the same time by your windows computer.
- Offline mode, you can use the remote controller or the buttons on the controller to switch to different programs.

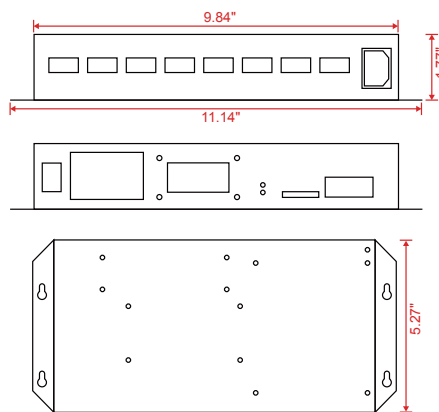
## CONTROLLER OPTIONS LIST

Model	Voltage	Max load current	Max power	Output signal	Working Temperature	Dimensions (L x W x H)
Talent III	100V-240 VAC	2A (Max.)	15W(Max.)	DMX512	-30 ° C ~55 ° C	11.2 x5.3 x1.8in

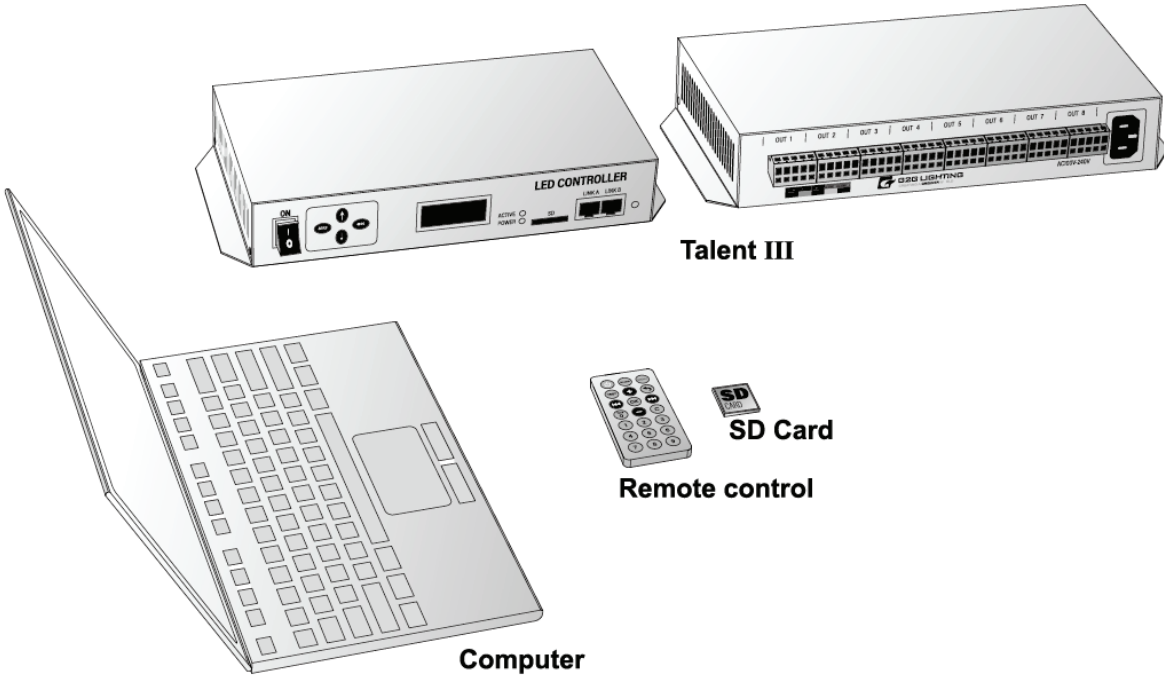
## WORKING MODE



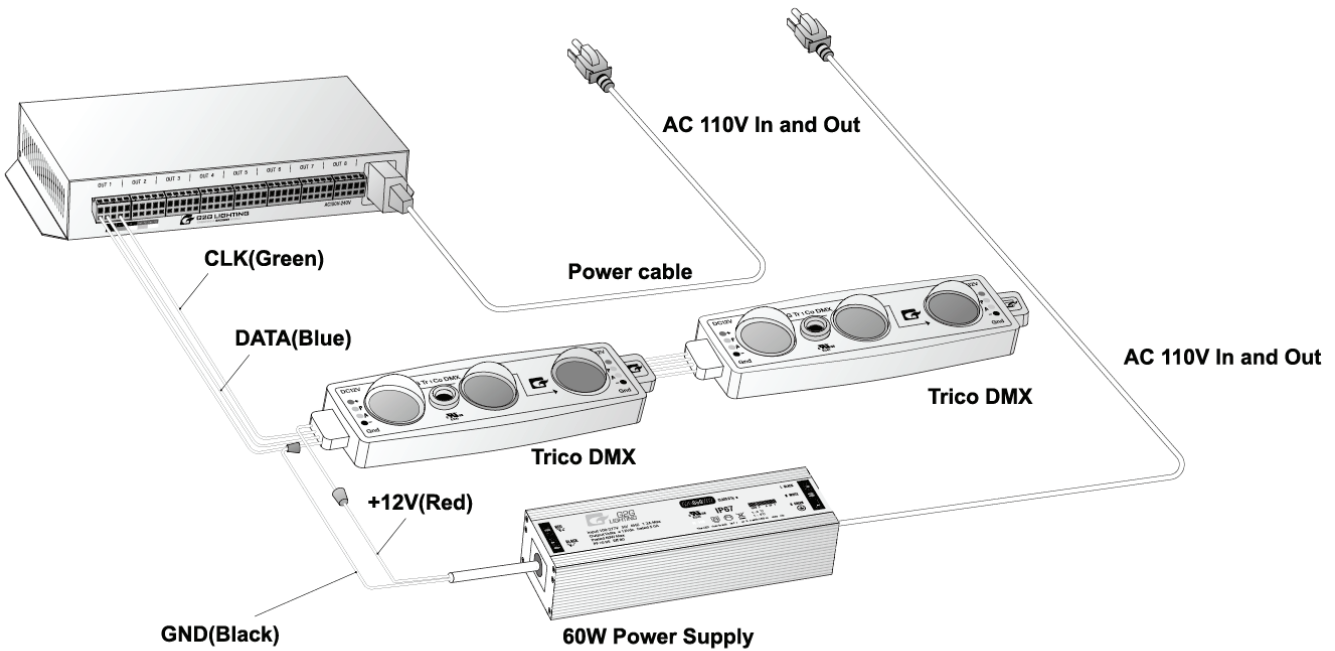
## CONTROLLER DIMENSIONS



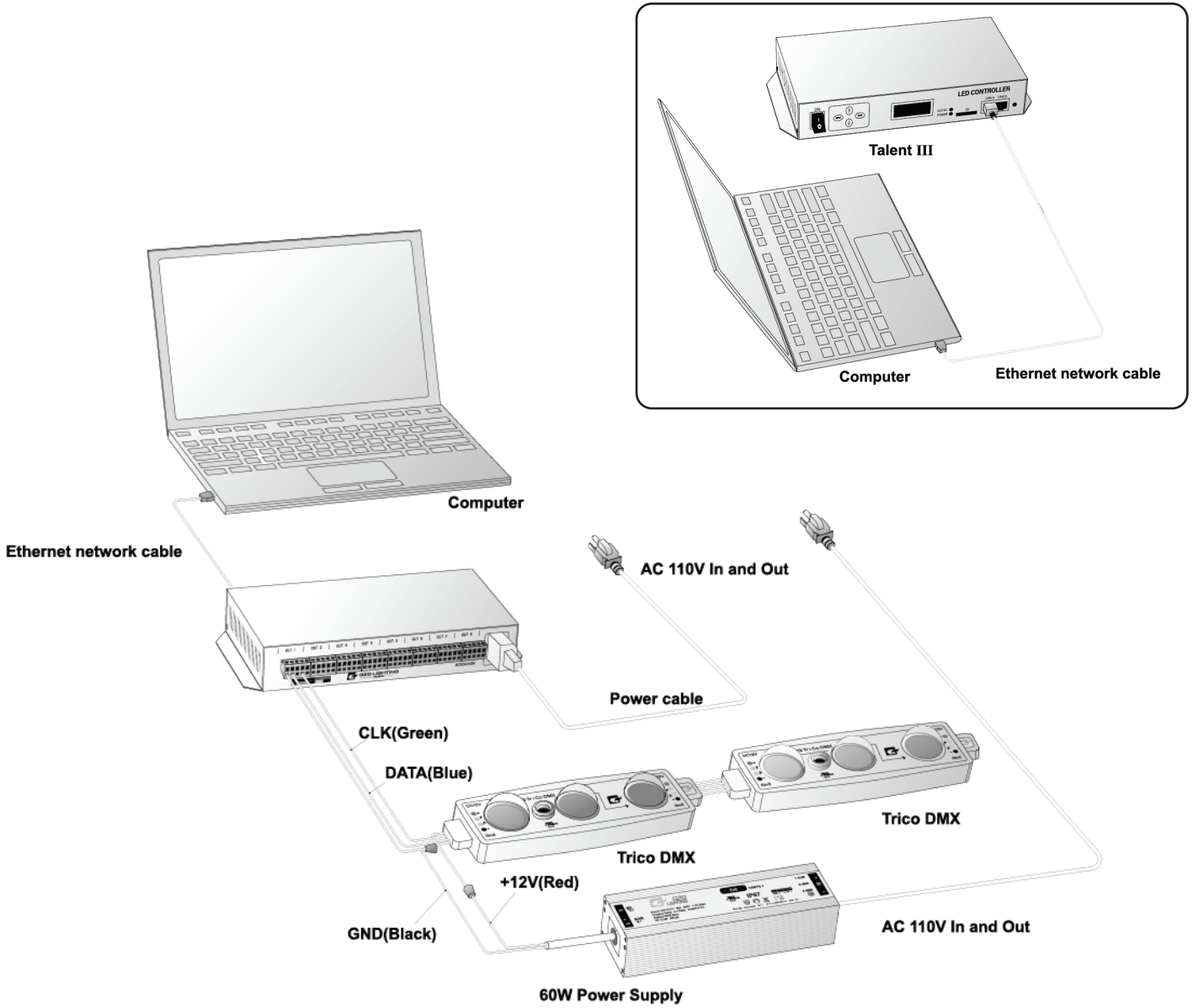
# CONTROLLER RENDERINGS



# OFFLINE MODE



# ONLINE MODE



# PLANE CONNECTION DIAGRAM

Use the same way to wire the OUT 3 to OUT 7

