

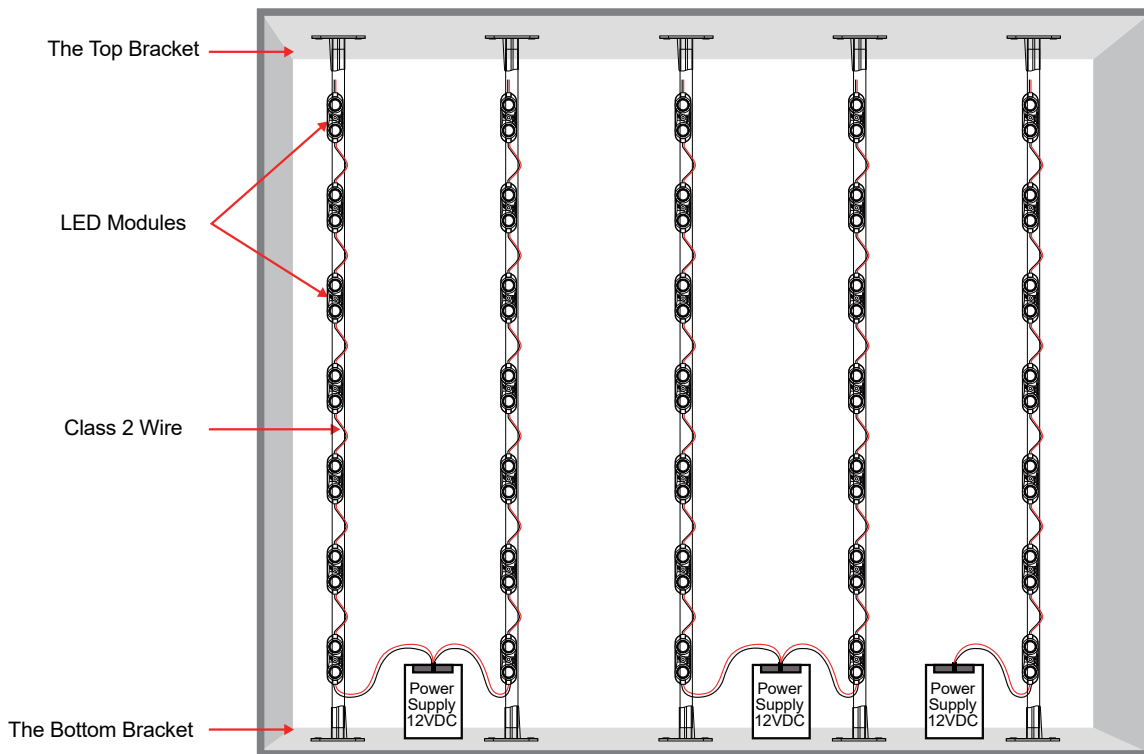


AnPro 180
DF/SF STICK
SIGN CABINET
LIGHTING
INSTALLATION GUIDE

T 973 575 2600 F 973 575 2603
1829 Underwood Blvd, Unit 5, Delran Twp, NJ 08075
www.g2glighting.com

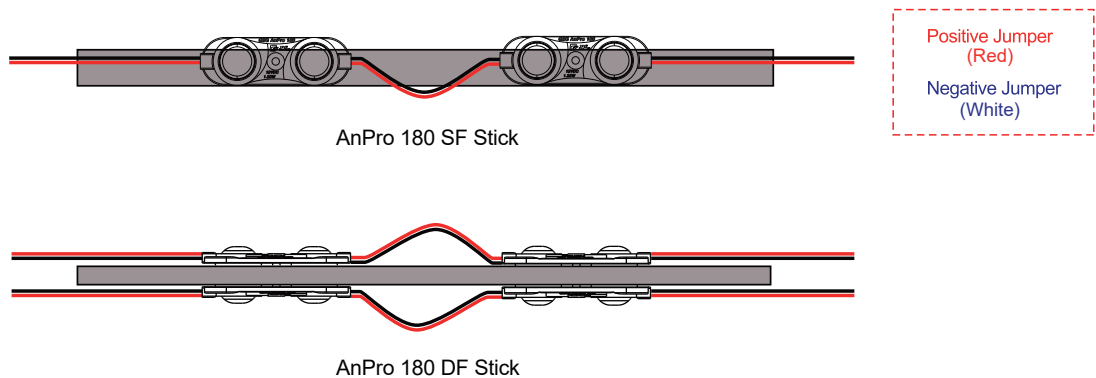
ANPRO 180 SF/DF STICK INSTALLATION DIAGRAM

Put AnPro 180 SF/DF Stick in sign bow(or sign cabinet), use VHB or screw to fix brackets, both add silicone for fastness and security, please pay attention to measure the spacing.(see Figure)



*Use the same way to installation AnPro 180 DF Stick too.

Wiring and installation diagram

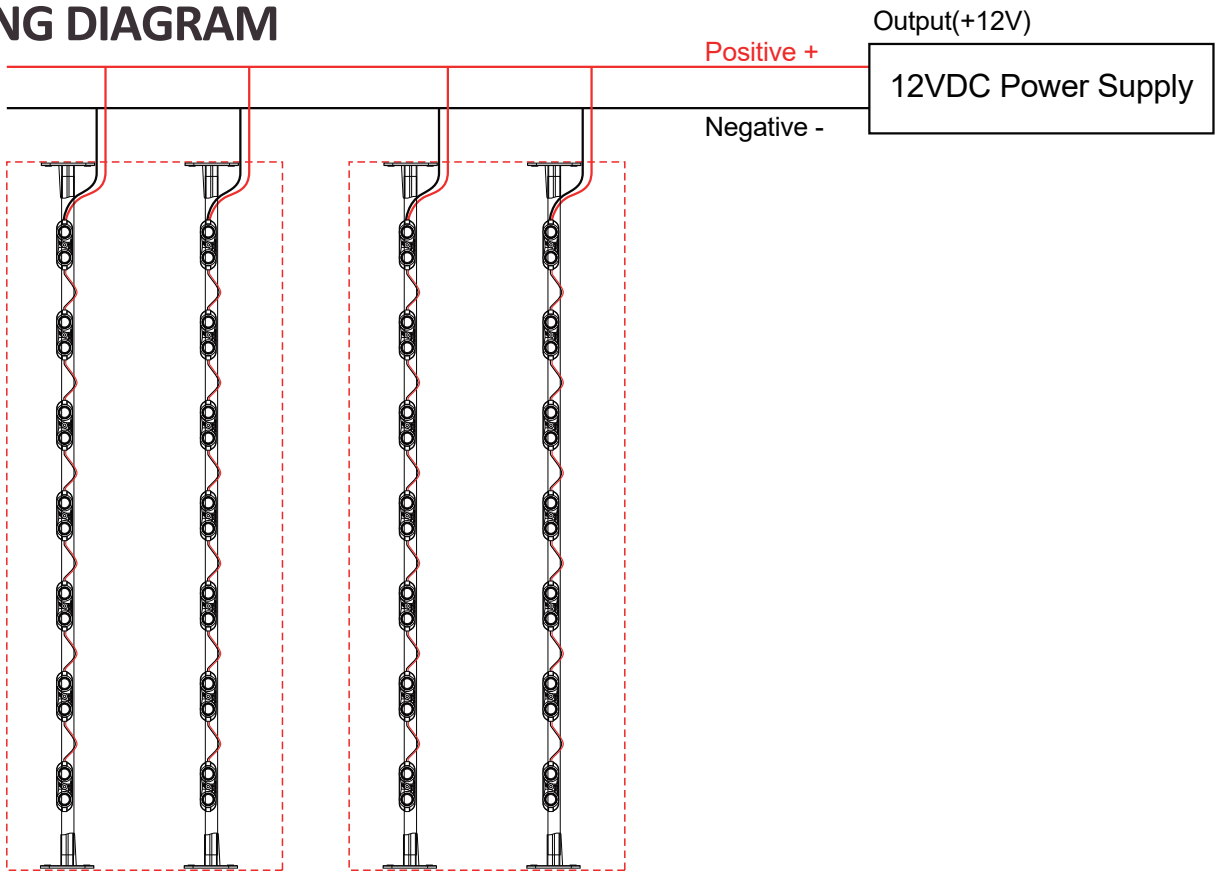


CHANNEL LETTER LED LIGHTING

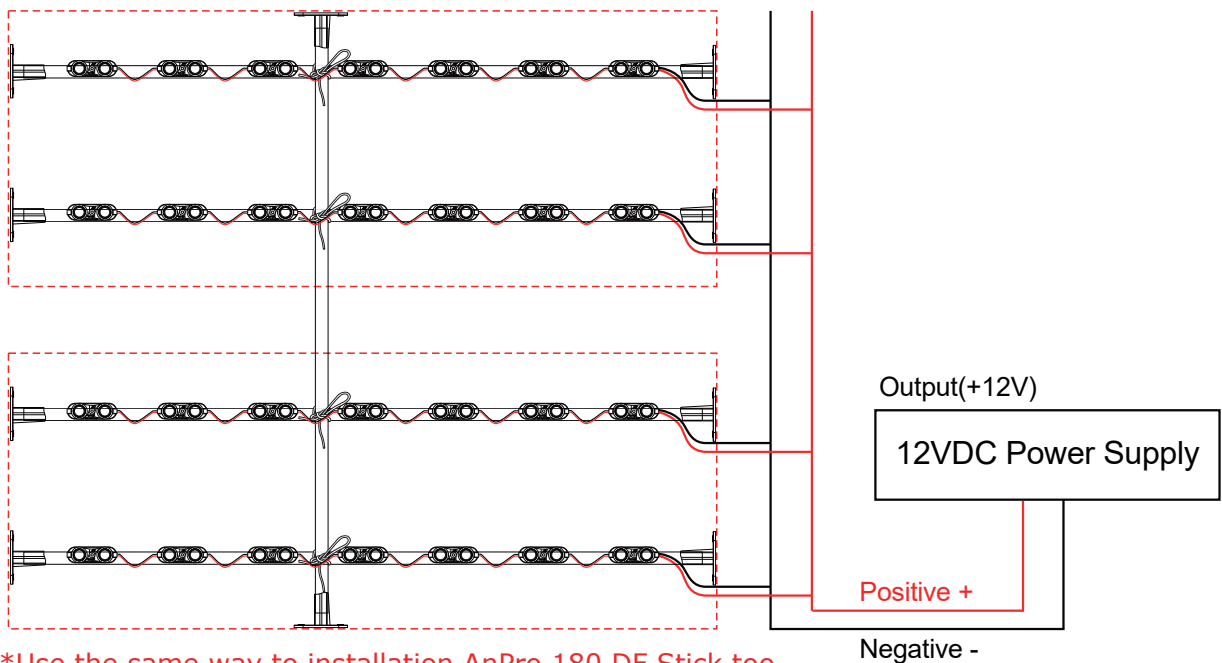
INSTALLATION GUIDE

WIRING DIAGRAM

1



2



*Use the same way to installation AnPro 180 DF Stick too.

CHANNEL LETTER

LED LIGHTING

INSTALLATION GUIDE

ANPRO 180 SF/DF STICKS PLICING GUIDE

AnPro 180 DF Stick Regular Size

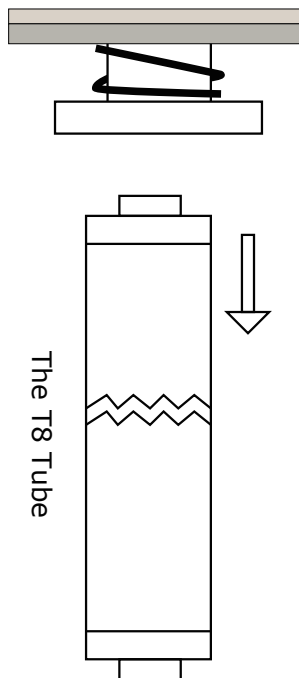
Part NO.	Size	Power Consumption
Anpro 180 DF Stick 2FT	21.91in	9.6W
Anpro 180 DF Stick 30IN	27.91in	14.4W
Anpro 180 DF Stick 3FT	33.91in	16.8W
Anpro 180 DF Stick 42IN	39.91in	19.2W
Anpro 180 DF Stick 4FT	45.91in	21.6W
Anpro 180 DF Stick 5FT	57.91in	28.8W
Anpro 180 DF Stick 64IN	61.91in	28.8W
Anpro 180 DF Stick 6FT	69.91in	31.2W
Anpro 180 DF Stick 7FT	81.91in	38.4W
Anpro 180 DF Stick 8FT	93.91in	43.2W
Anpro 180 DF Stick 9FT	105.91in	48W
Anpro 180 DF Stick 117IN	114.91in	50.4W
Anpro 180 DF Stick 10FT	117.91in	52.8W

AnPro 180 SF Stick Regular Size

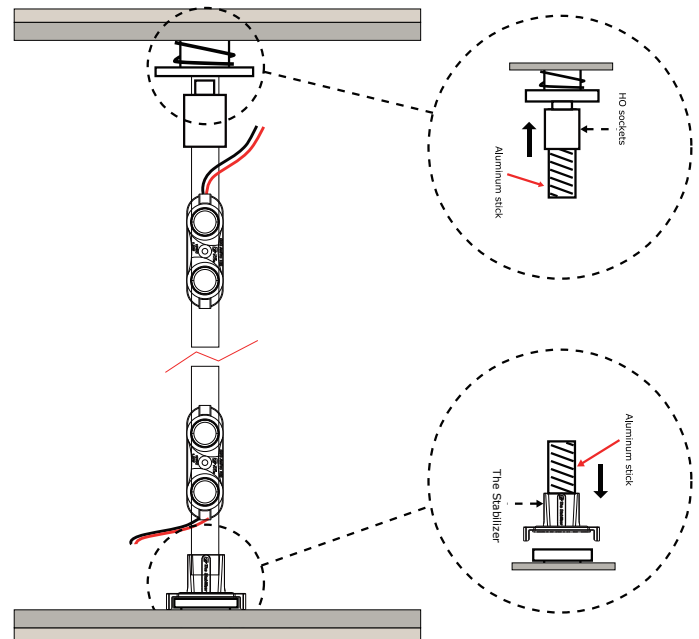
Part NO.	Size	Power Consumption
Anpro 180 SF Stick 2FT	21.91in	4.8W
Anpro 180 SF Stick 30IN	27.91in	7.2W
Anpro 180 SF Stick 3FT	33.91in	8.4W
Anpro 180 SF Stick 42IN	39.91in	9.6W
Anpro 180 SF Stick 4FT	45.91in	10.8W
Anpro 180 SF Stick 5FT	57.91in	14.4W
Anpro 180 SF Stick 64IN	61.91in	14.4W
Anpro 180 SF Stick 6FT	69.91in	15.6W
Anpro 180 SF Stick 7FT	81.91in	19.2W
Anpro 180 SF Stick 8FT	93.91in	21.6W
Anpro 180 SF Stick 9FT	105.91in	24W
Anpro 180 SF Stick 117IN	114.91in	25.2W
Anpro 180 SF Stick 10FT	117.91in	26.4W

RETROFIT INSTALLATION-1

- 1, Cut off power supply
- 2, Take down the tubes



Put aluminum rod in the mounting head

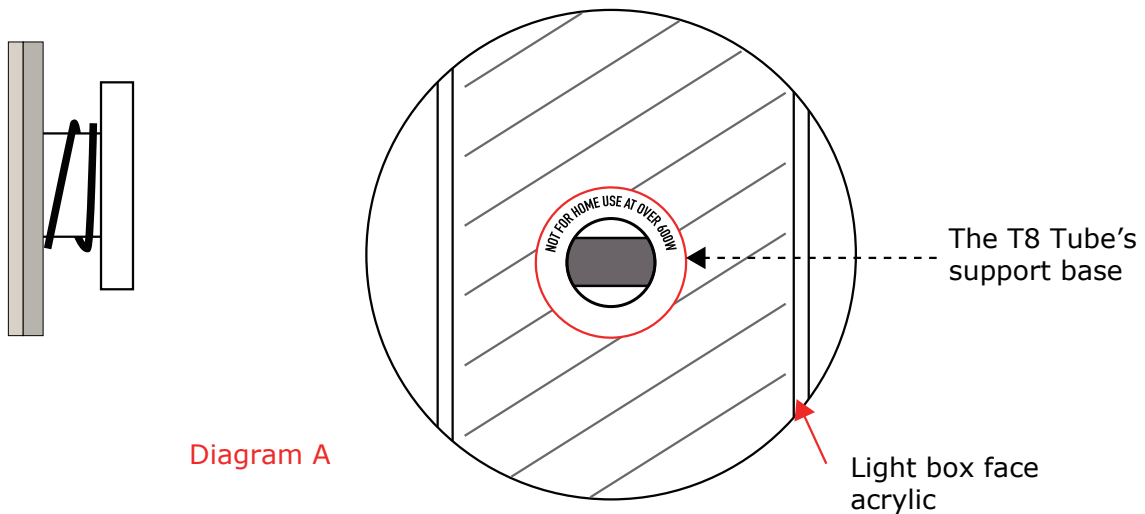


CHANNEL LETTER LED LIGHTING

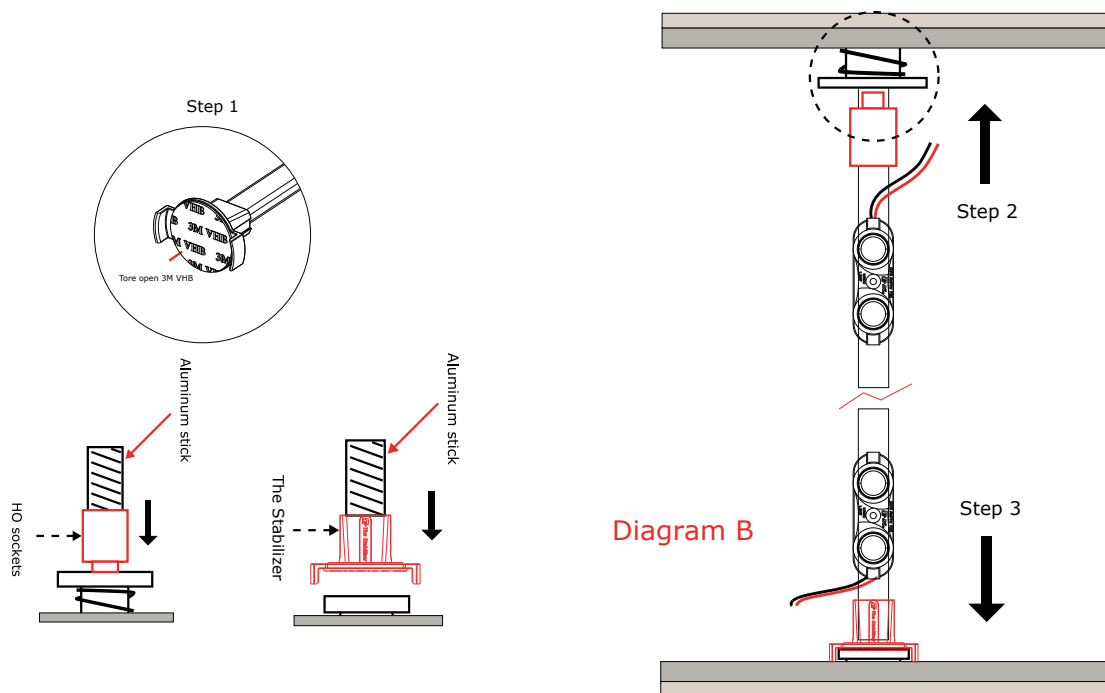
INSTALLATION GUIDE

RETROFIT INSTALLATION-2

If the T8 tube's support base like "Diagram A"
You need to use HO sockets to install AnPro 180 DF/SF stick.



In this condition, you can make the AnPro 180 stick DF/SF face to
The acrylic board correctly with the HO sockets.

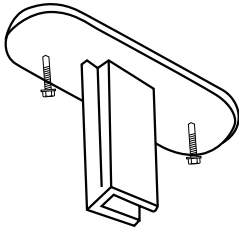


CHANNEL LETTER LED LIGHTING

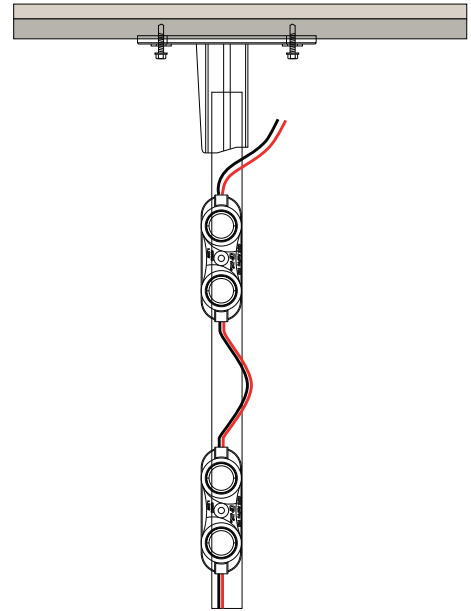
INSTALLATION GUIDE

NEW INSTALLATION

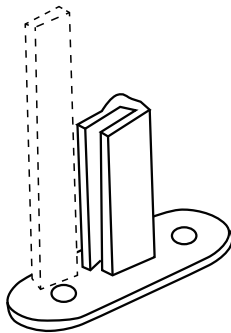
Fix the upper bracket and lower bracket



Please pay more attention to
The spacing when you install it



Put aluminum rod into bracket from side



6Ft, 7Ft, 8Ft, 9Ft, 10Ft, 64In and 117In aluminum rod need to use the joining bracket

